

Service
Service
Service



Service Manual

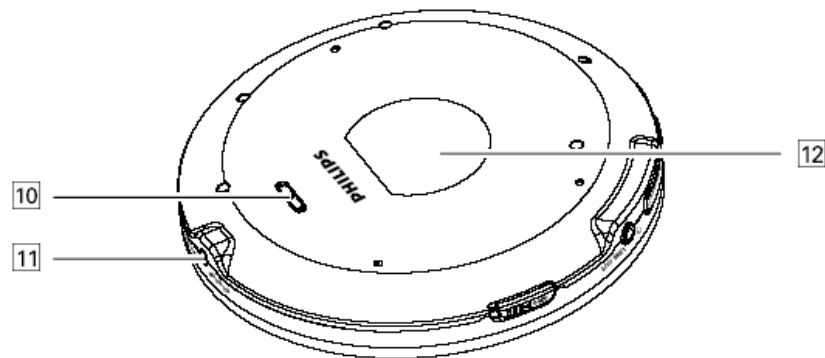
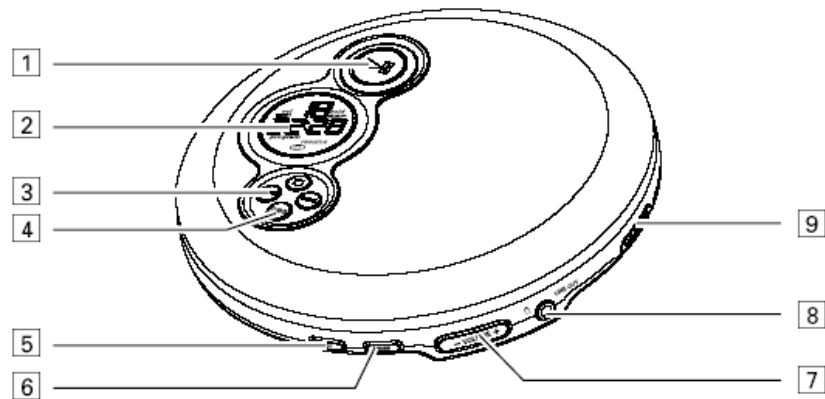
TABLE OF CONTENTS

| | Chapter |
|---|----------|
| Instruction For Use | 1 |
| Part List and Explode View Diagram | 2 |
| Revision List..... | 3 |

©Copyright 2005 Philips Consumer Electronics B.V. Eindhoven, The Netherlands
All rights reserved. No part of this publication may be reproduced, stored in a retrieval system or transmitted, in any form or by any means, electronic, mechanical, photocopying, or otherwise without the prior permission of Philips

3141 785 31390

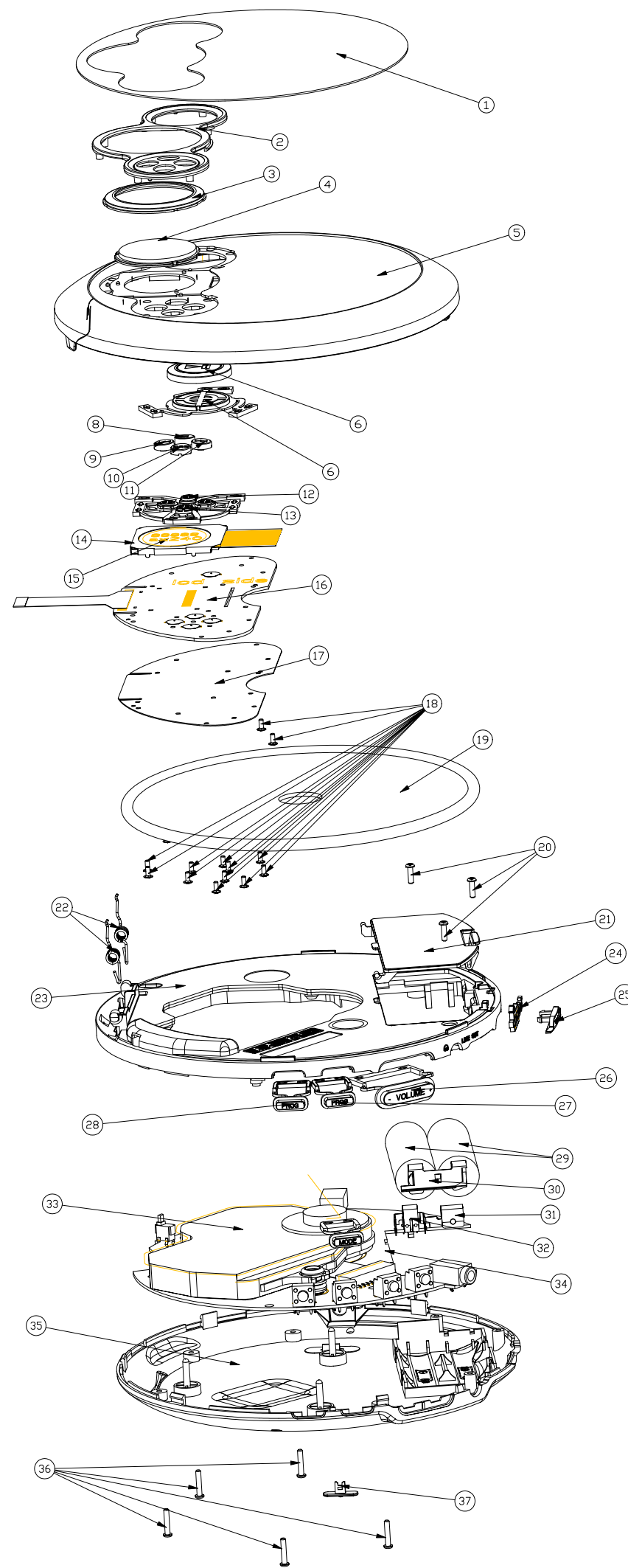
1.0 INSTRUCTION FOR USE



- 1 **▶||**.....switches the player on, starts or pauses CD play
- 2display
- 3 **■**.....stops CD play, clears a program or switches the player off
- ◀◀**.....skips and searches CD tracks backwards
- ▶▶**.....skips and searches CD tracks forwards
- 4 **DBB**.....switches the bass enhancement on and off. This button also switches acoustic feedback (the beep) on/off when it is pressed for more than 2 seconds
- 5 **PROG**.....programs tracks and reviews the program
- 6 **MODE/ESP**.....selects the different playing possibilities: **SHUFFLE**, **SHUFFLE REPEAT ALL**, **REPEAT**, **REPEAT ALL** and **SCAN** switch ESP on/off
- 7 **VOLUME +/-**adjust the volume
- 8 **🎧/LINE OUT**.....3.5 mm headphone jack, jack to connect the player to another audio input of an additional appliance.
- 9 **OPEN ▲**opens the CD lid
- 10 **HOLD**.....locks all buttons
- RESUME**stores the last position of a CD track played
- OFF**.....switches RESUME and HOLD off
- 11 **4.5V DC**.....jack for external power supply
- 12type plate

2.0 PART LIST AND EXPLODED VIEW DIAGRAM

| Philips 12NC | Description | Supplier material | Supplier |
|--------------|---|-------------------|----------|
| 996500040745 | CD MECHANISM TPP381 (THOMSON) | ECDTPP381ZZA | CMT |
| 996500040746 | CD DOOR SPRING LEFT AX2400 | MMSDSAX2400LA | CMT |
| 996500040747 | CD DOOR SPRING RIGHT AX2400 | MMSDSAX2400RA | CMT |
| 996500040748 | PC SHEET SPRAY SILVER AX2400 T:0.3MM | MTSPCAX2400AA | CMT |
| 996500040749 | BOTTOM CABINET INJ. ABS W/S.S. | PAX240002ZXXZZB | CMT |
| 994000003793 | DOOR BATTERY INJ. ABS | PAX240003ZZZZZA | CMT |
| 996500040750 | VOLIME KNOB INJ. ABS | PAX240005ZZZZZA | CMT |
| 996500040751 | SLIDE KNOB (HOLD) INJ. ABS | PAX240007AZZZZA | CMT |
| 996500040752 | OPEN SLIDER INJ. ABS | PAX240007BZZZZA | CMT |
| 996500040753 | PROG KEY INJ. ABS | PAX240008AZZZZA | CMT |
| 996500040754 | MODE KEY INJ. ABS | PAX240008BZZZZA | CMT |
| 996500040755 | STOP KEY INJ. ABS CHROME PLATED | PAX240008CZZSZA | CMT |
| 996500040756 | FWD&REV KEY INJ. ABS CHROME PLATED | PAX240008DZZSZA | CMT |
| 996500040757 | DBB KEY INJ. ABS CHROME PLATED | PAX240008FZZSZA | CMT |
| 996500040758 | PLAY BUTTON INJ. ABS CHROME PLATED | PAX240008GZZSZA | CMT |
| 996500040759 | LENS LCD INJ. PC | PAX240017ZZZZZA | CMT |
| 996500040760 | MIDDLE CABINET INJ. ABS | PAX240018ZZZZZA | CMT |
| 996500040761 | CD DOOR INJ. PC WITH SPRAY | PAX240025ZZZSZA | CMT |
| 996500040762 | CONTROL PANEL INJ. ABS WITH SPRAY | PAX240034ZZZSZA | CMT |
| 996500040763 | BRACKET (DISPLAY COSMETIC RING) INJ ABS | PAX240044AZZSZA | CMT |
| 996500040764 | BRACKET (TOP KEY SET) INJ. ABS | PAX240044BZZZZA | CMT |
| 996500040765 | BRACKET (STOP KEY) INJ. ABS | PAX240044CZZZZA | CMT |
| 996500040766 | BRACKET (PLAY KNOB) INJ. ABS | PAX240044DZZZZA | CMT |
| 996500040767 | OPEN LEVER INJ. POM | PAX240056ZZZZZA | CMT |



| NO | PART NAME | UNIT | REMARK |
|----|------------------------|------|--------------------|
| 56 | | | |
| 55 | | | |
| 54 | | | |
| 53 | | | |
| 52 | | | |
| 51 | | | |
| 50 | | | |
| 49 | | | |
| 48 | | | |
| 47 | | | |
| 46 | | | |
| 45 | | | |
| 44 | | | |
| 43 | | | |
| 42 | | | |
| 41 | | | |
| 40 | | | |
| 38 | | | |
| 37 | hold button | 1 | sunleader |
| 36 | screw(402.jp1709) | 5 | |
| 35 | low cab | 1 | sunleader |
| 34 | main pcb | 1 | |
| 33 | driver | 1 | |
| 32 | batt plate- | 1 | mpc250(202b250-) |
| 31 | batt plate+ | 1 | mpc250(202b250+) |
| 30 | batt plate+- | 1 | mpc250(202b220h+-) |
| 29 | battery | 2 | |
| 28 | mode button | 1 | sunleader |
| 27 | prog button | 1 | sunleader |
| 26 | volume button | 1 | sunleader |
| 25 | open slider | 1 | sunleader |
| 24 | open lever | 1 | sunleader |
| 23 | mid cab | 1 | sunleader |
| 22 | spring(left and right) | 2 | |
| 21 | battery door | 1 | sunleader |
| 20 | screw(402.jp1706) | 3 | |
| 19 | cd disc | 1 | |
| 18 | screw(402.jp1425) | 18 | |
| 17 | pc sheet | 1 | |
| 16 | lcd pcb | 1 | |
| 15 | lcd | 1 | |
| 14 | lcd bracket | 1 | |
| 13 | top key set bracket | 1 | sunleader |
| 12 | stop button bracket | 1 | sunleader |
| 11 | forward button | 1 | sunleader |
| 10 | dbb button | 1 | sunleader |
| 9 | revert button | 1 | sunleader |
| 8 | stop button | 1 | sunleader |
| 7 | play button bracket | 1 | sunleader |
| 6 | play button | 1 | sunleader |
| 5 | cd door | 1 | sunleader |
| 4 | lcd lens | 1 | sunleader |
| 3 | display-cosmatic-ring | 1 | |
| 2 | control panel | 1 | |
| 1 | cut sheet | 1 | |
| NO | PART NAME | UNIT | REMARK |

R & D DEPARTMENT

| | | | |
|--|------------------|------------------|------------------|
| UNLESS OTHERWISE SPECIFIED ALL DIM ARE IN mm | | PROJECT: ax24xx | MODEL No.: |
| SCALE: 1 | MAT'L: | PART NAME: | PART No.: |
| DATE: 2004-09-18 | DATE: 2004-09-18 | DATE: 2004-09-18 | DATE: 2004-09-18 |
| APPROVED: | DATE: | DATE: | DATE: |

@ -FOR IQC INSPECTION REF .

3.0 REVISION LIST

Version 1.0 (3141 785 31390)

- Initial release